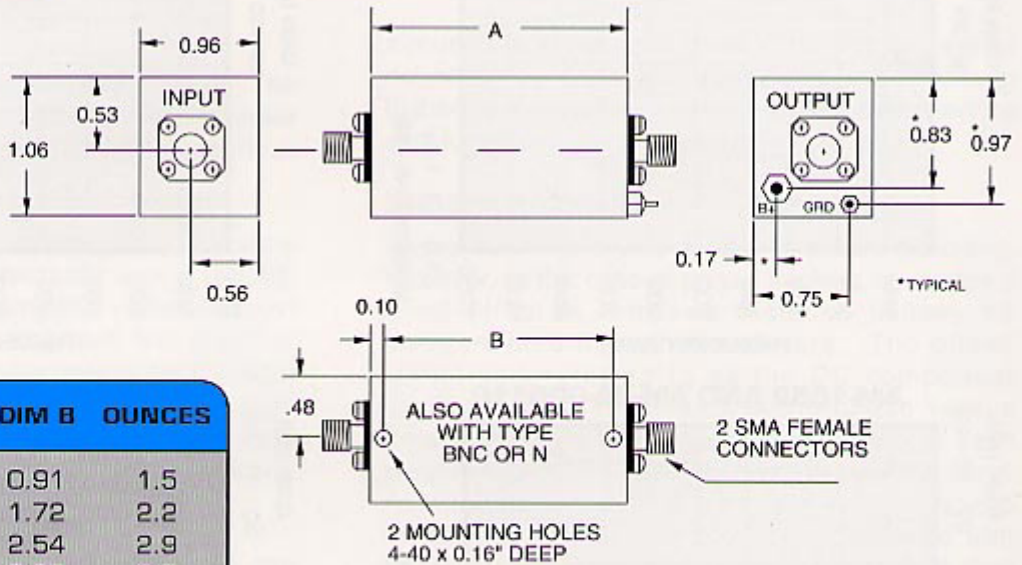
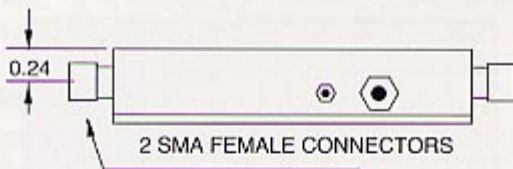


OUTLINES 1-5

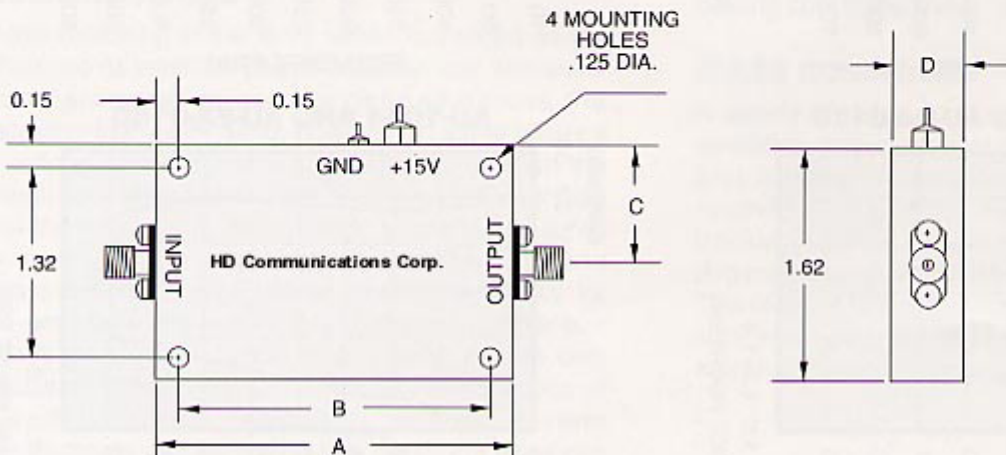


OUTLINE	DIM A	DIM B	OUNCES
1	1.11	0.91	1.5
2	1.92	1.72	2.2
3	2.74	2.54	2.9
4	3.55	3.35	3.7
5	4.48	4.28	4.5

OUTLINES 6-10



OUTLINE	DIM A	DIM B	DIM C	DIM D	OUNCES
6	1.41	1.11	0.81	0.51	1.6
7	1.41	1.11	1.05	0.51	1.6
8	2.42	2.12	0.81	0.51	2.3
9	3.02	2.72	0.81	0.51	3.1
10	2.42	2.12	0.81	0.65	2.6



DIMENSIONS ARE IN INCHES